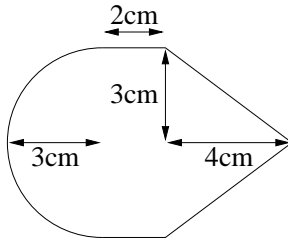


Homework #9

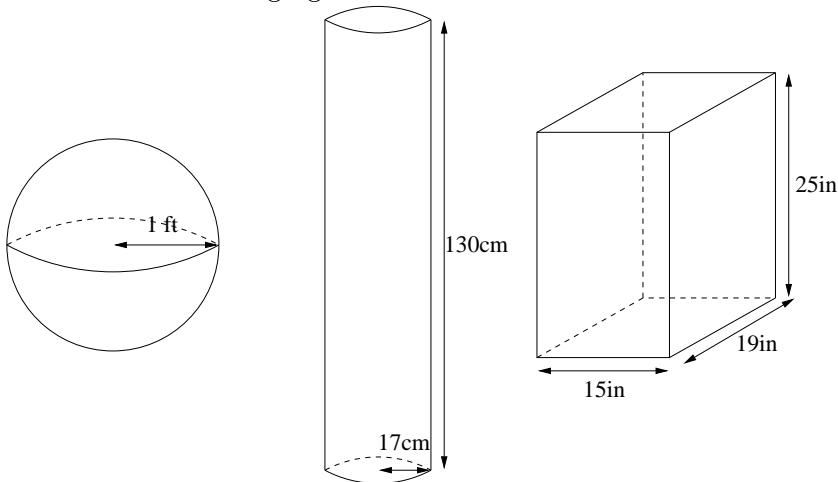
Instructions: Answer the following questions on a **separate sheet of paper**.

1. For the shape given below,



- (a) find the perimeter.
- (b) find the area.

2. Consider the following figures:



- (a) Find the volumes of the three figures with their respective units.
- (b) Sort the three figures according to their volumes (you'll need to do some conversions).

3. The shape below is a scale model of a cylindrical tank. The model will be scaled up so that the radius of the tank is 8 feet.



The model has a radius of 2 inches, a surface area of 150.8 square inches and a volume of 125.7 cubic inches.

- (a) Find the surface area of the actual tank.
- (b) Find the volume of the actual tank.